

# GENCHARGER

## Charge Rectifier

- 12 Volt 3 Ampere
- 12 Volt 5 Ampere
- 24 Volt 3 Ampere
- 24 Volt 5 Ampere

### SPECIFICATIONS

- Float charging
- 67 KHz switching
- Constant output voltage
- Current limiting
- Fail (Relay) output
- High Current and short circuit protection
- Reverse connection protection
- High voltage protection (only on S+ series)
- High temperature protection
- Wide range operation voltage
- Suitable for Lead Acid battery
- %95 efficiency

### INPUT

**Boost Input:** Quick charge input. To start quick charge, short circuit the BOOST inputs.

### OUTPUT

**Battery output:**

- \* 12V 3 Amp. : 13,7V $\text{---}$
- \* 12V 5 Amp. : 13,7V $\text{---}$
- \* 24V 3 Amp. : 27,4V $\text{---}$
- \* 24V 5 Amp. : 27,4V $\text{---}$

**Fail Output:**

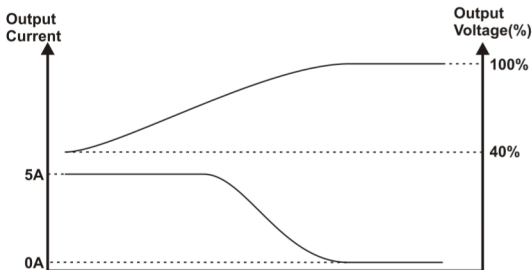
Relay output

### DISPLAY

Green Led display shows the GENCHARGER device switching.

Red Led display GENCHARGER device has failed.

### CURRENT-VOLTAGE CURVE



### ELECTROMAGNETIC COMPATIBILITY

- \* EN 61000-6-4:2007 EMC Generic Emission Standard for Industrial Environments
- \* EN 61000-6-2:2006 EMC Generic Immunity Standard for Industrial Environments
- \* EN 61010-1:2003 Safety Requirements for electrical equipment for measurement, control and laboratory use

### POWER SUPPLY

**Power Supply Voltage :**

90-290 V  $\sim$  50/60 Hz

### ENVIRONMENTAL RATINGS and PHYSICAL SPECIFICATIONS

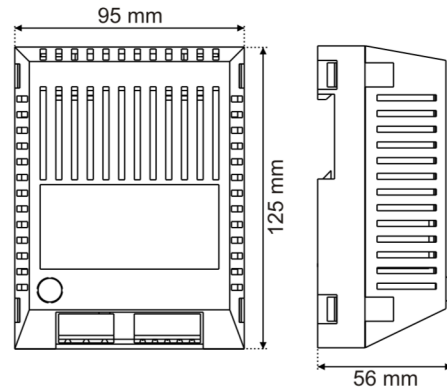
**Operation Temperature:** -30...60°C

**Humidity :** 0-95%RH (non condensing)

**Protection Class:** IP20

**Weight:** 370 gr.

**Dimensions:** 125mm / 95mm / 56 mm



### WIRINGS

**Wiring Type:** Screw terminal

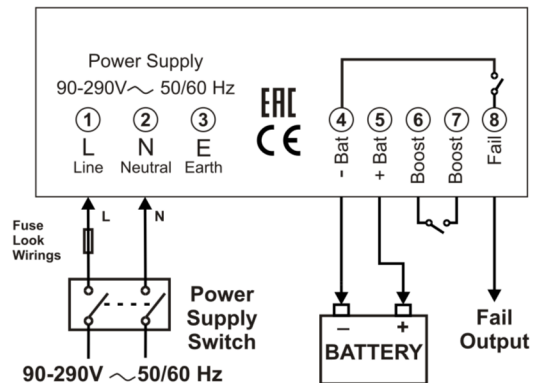
**Recommended AC fuse:**

GENCHARGER-312S 12V 3A	1.5A@250V $\sim$ T type
GENCHARGER-512S 12V 5A	2.0A@250V $\sim$ T type
GENCHARGER-324S 24V 3A	2.5A@250V $\sim$ T type
GENCHARGER-524S 24V 5A	3.5A@250V $\sim$ T type

L	AC line
N	AC neutral
E	Earth
-BAT	Battery Negative
+BAT	Battery Positive
BOOST	Boost Input
BOOST	Boost Input
FAIL	Charge Fail Output

### ELECTRICAL WIRING

GENCHARGER ( 90-290V  $\sim$  50/60 Hz)



### ORDER FORM

GENCHARGER	A	BC	D
------------	---	----	---

<b>A</b>	<b>Current Output</b>
3	3 Ampere
5	5 Ampere

<b>BC</b>	<b>Battery Output</b>
12	12 V $\text{---}$
24	24 V $\text{---}$

<b>D</b>	<b>Power Supply</b>
S	90-290 V $\sim$ 50/60 Hz
S+	90-290 V $\sim$ 50/60 Hz (device is off between 290 - 570 V $\sim$ )